

Huntsville Botanical Garden

Huntsville, Alabama

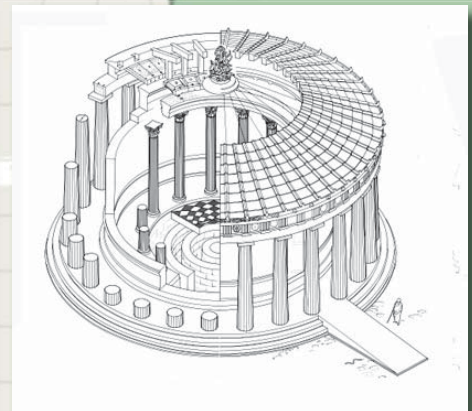
portfolio



In 2008, 4Site was commissioned to provide an update to the 1991 Master Plan for the Huntsville Botanical Garden. The design team at 4Site site discovered that the site of 110 acres has enjoyed dramatic change over the past 20+ years, and the time had come for a look towards future opportunities for planned growth. Significant success has strained the existing parking facilities, the existing entrance and ticketing is inadequate, and necessary changes from the previous plan required re-thinking the location of several major planned Garden features.

4Site was faced with finding a successful fit for growth and planned new facilities, while maintaining the history, quality and character of the existing Garden. We re-designed an existing pavilion, locating a planned new major entry with formal Gardens and gift shop. 4Site developed a plan for new traffic control measures and a large new parking area, and re-located the Celebration Garden to southern portion of the Garden.

The challenge of how to sensitively utilize the historic Courthouse columns was resolved by designing a new Greek Pavilion / Astrological feature in the southern Gardens sited in major seasonal drifts of trees, grasses, water feature and new Lake. The plan was adopted in the fall of 2008, and work is underway on the provisional entrance.



An Interdisciplinary Approach to Land Planning & Design

4Site Incorporated • 7500 S. Memorial Pkwy. Ste 209
Huntsville, Alabama 35802
(ph)256.539.1221 • www.4siteinc.biz

